



• ED1238 Series II

DC Brushless fan.

Size: 120 x 120 x 38 mm

4.7 x 1.5 Inches.

Airflow: Max. 240 CFM / 6.8 m³/min

Plastic Impeller / Plastic Frame.

Model No.	Rated Voltage	Voltage Range	Input Power	Rated Current	Ref Speed	Max. Airflow		Max. Static Pressure		Noise Level	PQ Curves
	VDC	VDC	Watt	Amp	RPM	CFM	m ³ /min	Inch/H ₂ O	mm/H ₂ O	dB (A)	
ED1238-12SH**	12	8~13.8	45.6	3.8	5200	240	6.8	1.1	27.94	62	1
ED1238-12HHH**	12	8~13.8	33.6	2.8	4700	210	5.9	0.85	21.59	59	2
ED1238-24SH**	24	14~26.4	45.6	1.9	5200	240	6.8	1.1	27.94	62	1
ED1238-24HHH**	24	14~26.4	33.6	1.4	4700	210	5.9	0.85	21.59	59	2
ED1238-48SH**	48	28~56	43.2	0.9	5200	240	6.8	1.1	27.94	62	1
ED1238-48HHH**	48	28~56	33.6	0.7	4700	210	5.9	0.85	21.59	59	2

** = "WB" for wire lead type Ball bearing, or "TB" for terminal type Ball bearing.

• Sinwan reserves the right to change data and improve electrical & mechanical design without notice. data tolerance +10%

Motor

Motor Type: Brushless DC Motor, auto cutoff, auto restart
 Burnout Protection: Electronically protected, polarity protected
 IP Protection: Ratings on request

Mechanical

Frame: Glass fiber reinforced thermoplastic, rated UL94V-0
 Impeller: 7 blades, glass fiber reinforced plastic, rated UL94V-0
 Bearing: Two ball bearings
 Rotation: CCW seen on rotor
 Connection: Wire lead or terminal flat pin connecting
 Weight: 280 g (0.617 Lbs)

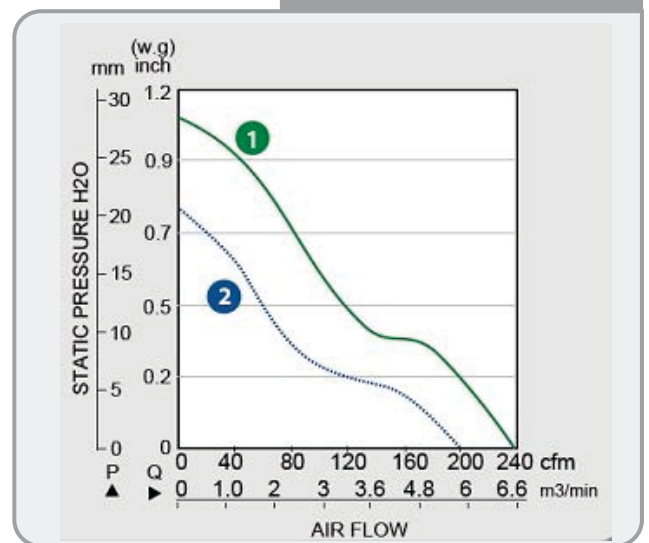
Electrical

Dielectric Strength: 500 VAC/min. Max leakage 500mA
 Speed Control: Optional: PWM, S/C NTC thermister on request
 Signal Output: Optional: R/D alarm output, tachometer output F/G

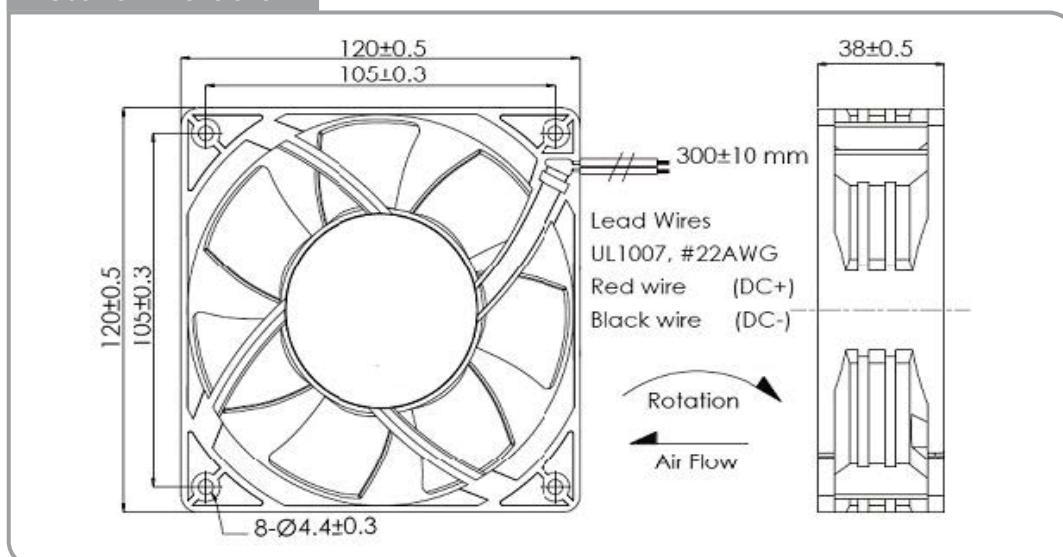
Environment

Operating Temp: Ambient non-condensing -15°C~+65°C
 Storage Temp: -25°C~+80°C (at 65%RH)
 Life Expectancy: L10 65K hours at 45°C, 50K hours at 65°C

► Performance P-Q Curves.



► Outline Dimensions.



Fan Accessories

- Metal Fan Guards
- Plastic Fan Guards
- Plastic Fan Filter
- Metal Fan Screens